

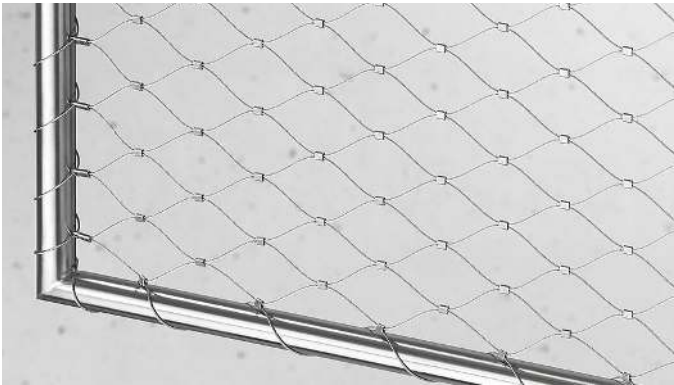
Webnet Frames

The range of Webnet Frames by Jakob Rope Systems offers tailor-made Webnet elements in attractive stainless-steel profiles. They can be easily installed on site and require no special assembly expertise. This technical information sheet has been designed to help you make the best use of the advantages that Webnet Frames offer. We are happy to help you if you have further questions.

Webnet Frames Classic

1

Webnet Frames Classic are made of stainless steel round tubes in various diameters. The lacing rope that secures the wire rope net in place is wound visibly around the frame. This frame type enables the use of virtually all shapes and net types, is cost-effective and stable.



Properties

- Many possible shapes
- Wide choice of net types
- Wide choice of tube profiles
- Round geometries or curved frames possible
- Low corrosion risk (frame profiles completely closed)

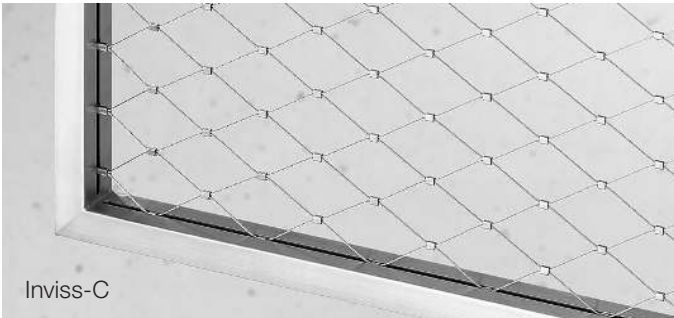
⚠ Points to note

- Design: the lacing ropes / net mountings are visible
- Frame clamps may not be optimal for all mesh widths (possible conflict lacing rope / frame clamp)
- Exposed lacing rope (possible abrasion / attrition)
- Webnet with 'halved meshes' possible
- Dimensionally stable
- Suitable for horizontal fall preventions

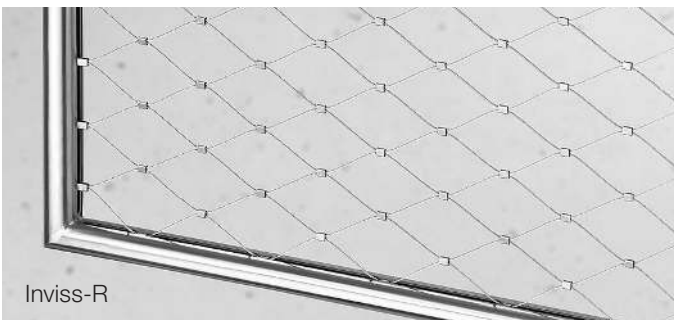
Webnet Invis-C and Invis-R Frames

2

On **Webnet Invis Frames**, the lacing rope lies within the slotted frame profile and is therefore not visible. This lends the frame a very elegant and aesthetic appearance.



Invis-C



Invis-R

Properties

- Design: no lacing rope / mounting visible
- Design: square profile / round tube profile possible
- Suitable for mounting with frame clamps
- Suitable for use as balustrade without extra handrails
- Suitable for surface coating
- Outer parts of the frame profiles easily accessible for cleaning

⚠ Points to note

- Limited choice of net types (cable diameter 1.5 mm / 2 mm)
- Free-form geometries subject to special conditions
- Reduced dimensional stability
- Not suitable for applications in the food industry or similar applications (deposits inside the frame profile possible)
- Not suitable for applications with higher corrosion risks (deposits inside the frame profile possible)

Tube dimensions

3

Jakob Webnet Frames Classic and Invis are available in the following tube dimensions:

Typ	Tube dimension	Article No.
Classic	∅ 17.2 × 1.6 mm	30924-0017-40
Classic	∅ 26.9 × 2.0 mm	30924-0026-40
Classic	∅ 33.7 × 2.0 mm	30924-0033-40
Classic	∅ 42.4 × 2.0 mm	30924-0042-40
Invis-R	∅ 26.9 × 2.0 mm	30924-0026-50
Invis-C	20 / 20 × 1.5 mm	30924-2020-50
Invis-C	30 / 30 × 1.5 mm	30924-3030-50
Invis-C	25 / 50 × 1.5 mm	30924-2550-50
Invis-C	30 / 60 × 1.5 mm	30924-3060-50
Invis-C	20 / 40 × 1.5 mm	30924-2040-50
Invis-C	40 / 40 × 2.0 mm	30924-4040-50

Maximum Frame dimensions

4

Due to logistical reasons Webnet Frames can be shipped in dimensions up to 2000 × 3500 mm. The delivery of larger Frames is possible based on individual case checks.

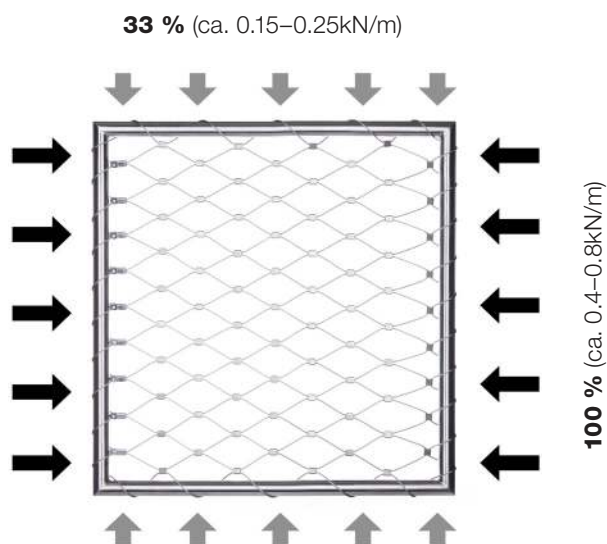
Sag

5

The assembly of Webnet creates horizontal and vertical loads in the net perimeter. These act upon the frame profile and can deform it.

Small cable diameters and / or large mesh width = smaller initial load
Large cable diameters and / or small mesh width = higher initial load

The following illustration shows the distribution of the initial loads depending on the direction of the mesh apertures (mesh aperture angle 60°):



 Depending on the size, we recommend to weld supporting bars into the frame.

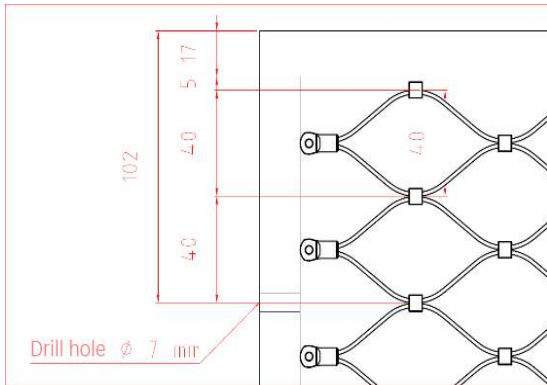
Drill holes

6

The position and the diameter of the drill holes can be freely selected. If not indicated otherwise the following diameters will be drilled for the frame holders:

M6 thread: ø 7 mm drill

M8 thread: ø 9 mm drill



! In determining the position of the hole, the calculated mesh width of the net should be considered in order to avoid a Webnet eye end meeting a drill hole.

! Each drill hole lowers the stability of the tube profile.

Temporary bracing

7

If necessary, a wooden strut can be used to brace Webnet Frames for shipping. This is especially useful for large frames or frames without a supporting bar. It ensures that the frame maintains its dimensional stability until assembly. Supporting struts only make sense when the frame can be mounted on all sides in the final installation. The frame should be installed as delivered and the supporting struts must only be removed after installation.

Miscellaneous

8

- Frames according to the DIBt approval must be fitted with a thicker lacing rope. This must be indicated when ordering.
- Invis Frames have a drain hole at the bottom.
- Invis Frames with a vertical mesh orientation have a hole at the side due to the net assembly.
- A production drawing is always made for Webnet Frames.

! If the frame features a welded supporting bar, the bar is always behind the net in the drawing.

