

05. Mai 2020

Jakob AG
Dorfstrasse 34
CH 3555 Trubschachen
Switzerland

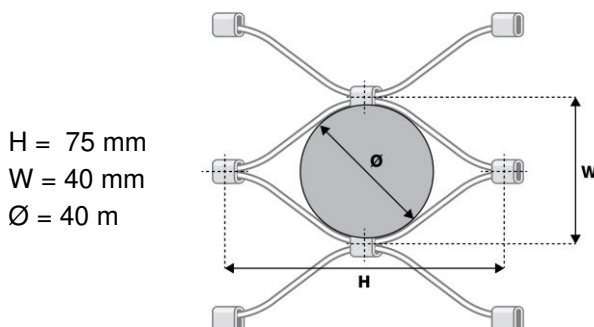
To whom it may concern

■ **Climbability of Webnet used as vertical safety net structure**

Jakob Rope Systems relies on the technical approval issued by the building inspectorate DIBt (Deutsches Institut für Bautechnik) for the recommendation of its safety net applications with Webnet. This approval defines the components for the use of such applications but does not respond to the issue of climbability of the net structure. [Supervisory-Approval-Webnet.pdf](#)

The selection of the mesh aperture is based on the official recommendation of the BFU (Beratungsstelle für Unfallverhütung), which is the Swiss advice centre for accident prevention. According to their recommendation, a mesh aperture of 40 mm is declared as difficult to climb for children and can therefore be used as a vertical safety net, such as balustrade infills. The mesh aperture is defined by the maximum circular opening within the structure. [Passage-width-Webnet.pdf](#)

Beside the above mentioned recommendation, Jakob Rope Systems can rely on its long-standing experience and of numerous construction projects worldwide with Webnet used as safety net structure. For large construction projects, the local representatives of the building authorities and the local engineers were mostly involved in the decision-making process. For the most of these projects, a mesh aperture of 40 mm was approved by the responsible parties to be suitable to avoid children climbing up or over the net structure.



Fabian Graber

Head of Engineering
Jakob Rope Systems